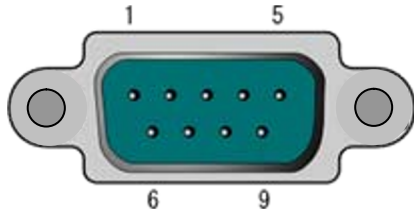


SJ700A Output signal specifications

Output connector of SJ700A

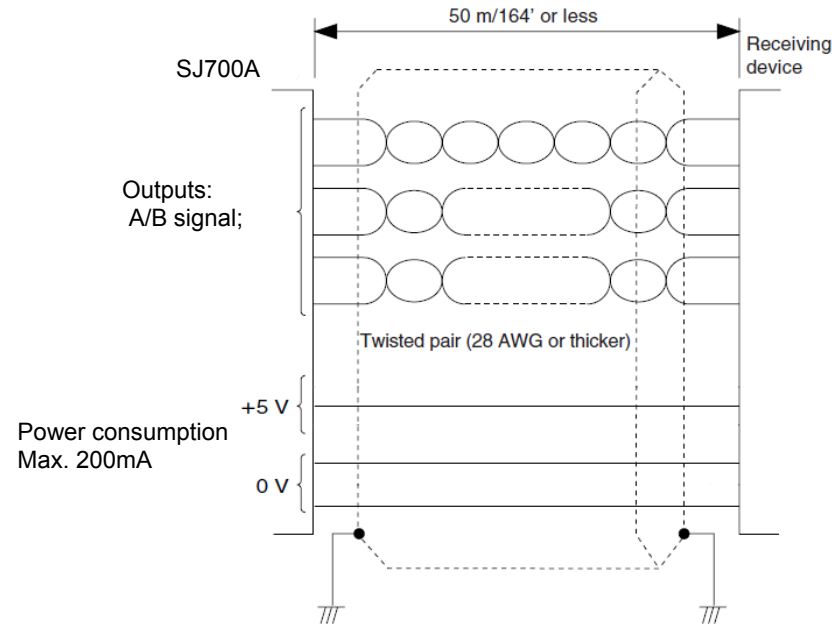
D-Sub	
1	A
2	*A
3	B
4	*B
5	N.C.
6	N.C.
7	GND
8	5V
9	GND



D-sub 9pin male
Output line driver :
DS34C87 or equivalent

N.C. : Do not connect any signals.

- Use the DS34C86 or its equivalent for the receiver circuit.
- Make sure that the power supply voltage is in the range 4.75V to 5.25V DC at the input connector to SJ700A



Minimum phase difference : T_w : 200ns

