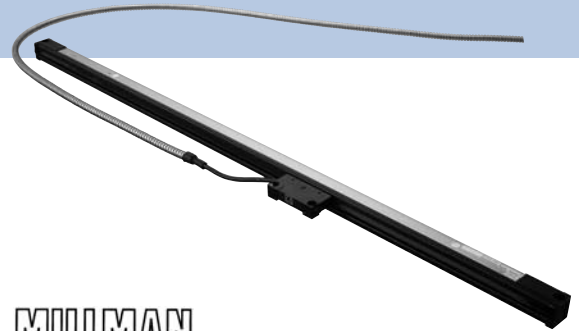


SJ

SJ700A SERIES

Cost-effective scale for Digital readout.

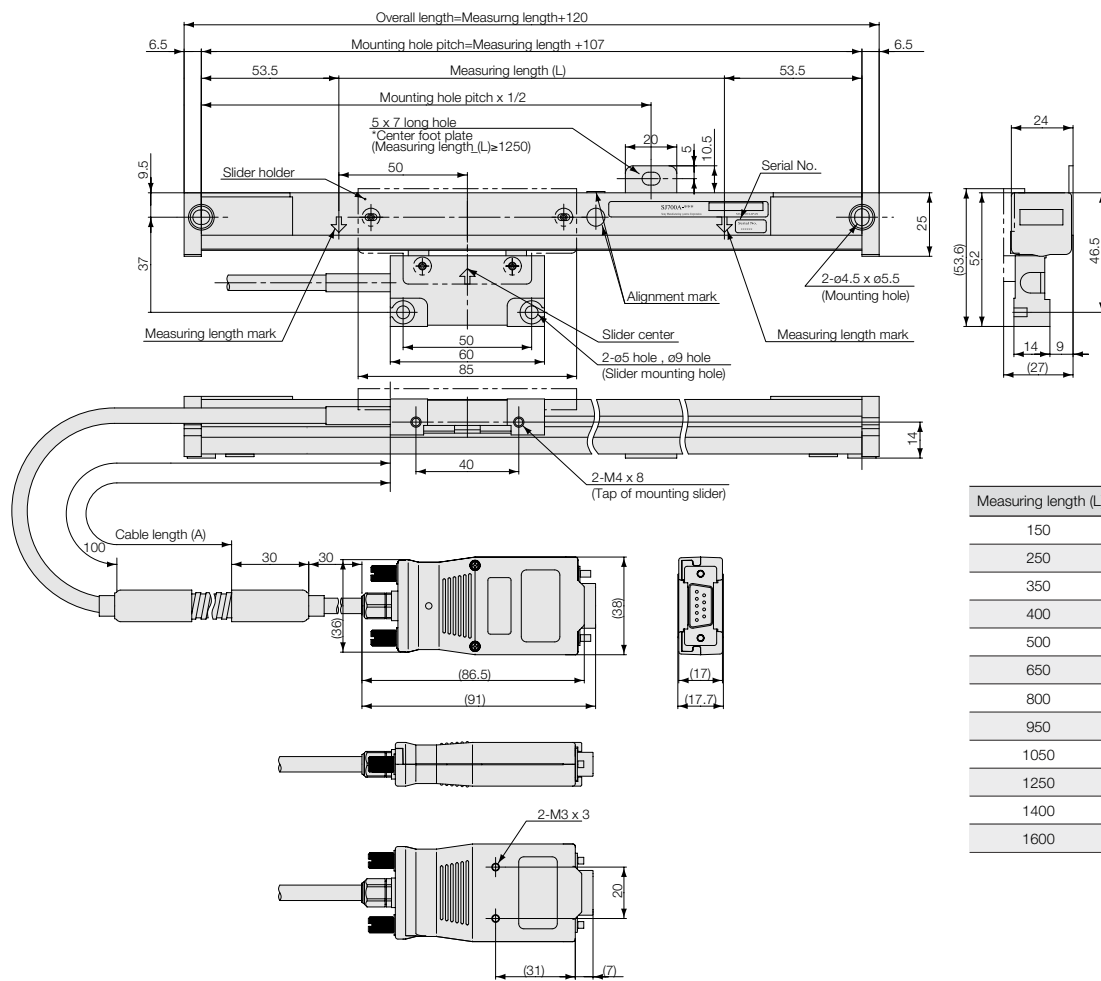


- Magnetic based encoder
- Excellent resistance to workshop conditions
- Same coefficient of expansion as that of machine tools
- Measuring length: 150 mm to 1600 mm
- Accuracy: $\pm 10 \mu\text{m}$, $\pm 15 \mu\text{m}$
- Resolution: $5 \mu\text{m}$

Scale	Counter
SJ700A	LH70/71, LH72 LY71, LY72, LG20

MILLMAN®

Dimensions



Measuring length (L)	Cable length (A)
150	3000
250	
350	
400	
500	
650	
800	5000
950	
1050	
1250	
1400	
1600	

Unit : mm

Specifications

Model	SJ700A
Effective length	150, 250, 350, 400, 500, 650, 800, 950, 1050, 1250, 1400, 1600mm
Overall length	Measuring length + 120mm
Maximum travel	Measuring length + 20mm (10mm each at right and left)
Accuracy (at 20°C)	$\pm 10 \mu\text{m}$ (Measuring length 1250 or less) $\pm 15 \mu\text{m}$ (Measuring length 1400 or more)
Thermal expansion coefficient	$(12 \pm 1) \times 10^{-6}/^\circ\text{C}$
Cable length	3m (SJ700A-015 to 080), 5m (SJ700A-095 to 160)
Operating temperature	0 to +40°C
Storage temperature	-20 to +60°C
Operating humidity	Condensation allowed
Storage humidity	90 %