

PL

PL20C

Head cable unit



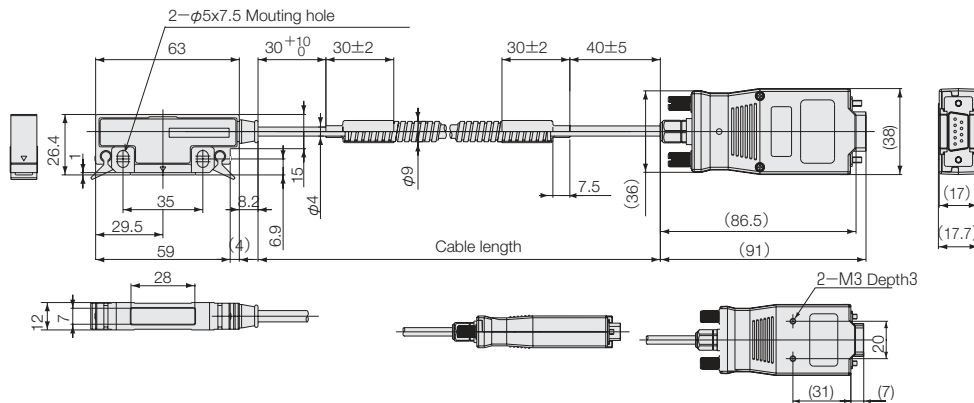
- Output signal: AB quadrature signal
- Resolution: 10µm
- Max. response speed: 300 m/min (varies with the read head and settings).
- Excellent resistance to workshop conditions (IP65).
- Resistant to oil, dirt, vibration, and shock.

Scale	Head/Cable	Counter
SL110 / SL130	PL20C	LH70 / LH71, LH72 LY71, LY72, LG20

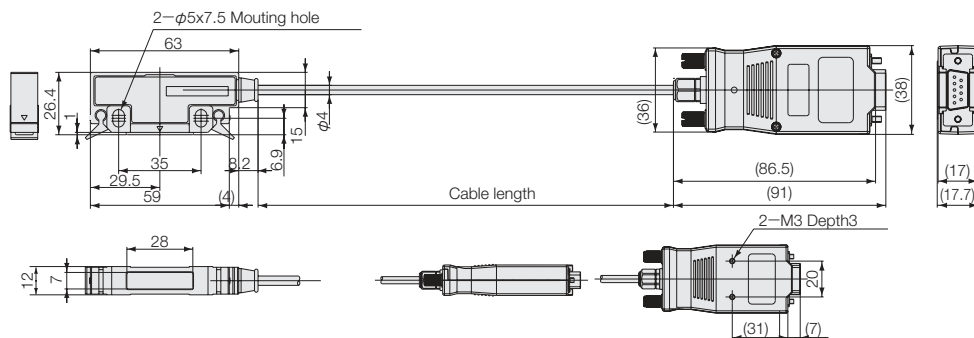
DIGIRULER®

Dimensions

PL20C-**C (Metal armor added)



PL20C-**



Unit : mm

Specifications

Model	PL20C-3 / PL20C-3C	PL20C-5 / PL20C-5C	PL20C-10 / PL20C-10C	PL20C-15 / PL20C-15C	PL20C-20 / PL20C-20C	PL20C-30
Cable length	3 m	5 m	10 m	15 m	20 m	30 m
Output signal	AB quadrature signal					
Resolution	10µm					
Max. response speed	300m/min					
Head mtg. screw tightening torque	0.7~1.1Nm					
Operating temperature	0 to 45°C / 32 to 113°F					
Storage temperature	-10 to 50°C / -14 to 122°F					