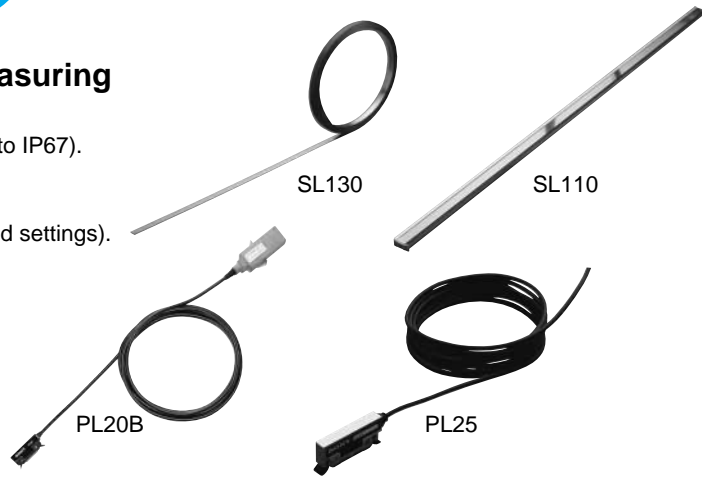


Non-contact detection and a long range measuring

- Magnetic principle
- Excellent resistance to workshop conditions (PL20B equivalent to IP67). Resistant to oil, dirt, vibrations and shocks.
- Resolution: 10 µm
- Max. response speed: 300 m/ min (varies with the read head and settings).
- Available in lengths up to 30 m (SL130)
- High cost efficiency. Easy installation on all types of machines from wood working to metal cutting.



SL110/130 Specifications

| Model | SL110 | | SL130 | |
|-----------------------------------|--|--|---|--|
| | -20 to -200 | | -20 to -700 | -800 to -3000 |
| Measuring length L mm (inch) | 200/300/400/500/600/700/800/1000/1200/ 1500/1600/1700/1800/2000 (7.8/11.8/15.7/19.6/23.6/27.5/31.4/39.3/47.2/ 59.0/62.9/66.9/70.8/78.7) | | 200/300/400/500/600/700/800/1000/1200/ 1500/1600/1700/1800/2000/2500/3000/ 4000/5000/6000/7000 (7.8/11.8/15.7/19.6/23.6/27.5/31.4/39.3/ 47.2/59.0/62.9/66.9/70.8/78.7/98.4/118.1/ 157.4/196.8/236.2/275.5) | 8000/9000/10000/20000/30000 (314.9/354.3/393.7/787.4/1181.1) |
| Overall length | L+103 mm/ 4.1" | | L+100 mm/ 3.9" | |
| Accuracy (at 20 °C /68 °F) | ± (25 + 5L/ 1000) µm | | | ± (25 + 5L/ 1000 + 10N) µm N=1when L=8000 /9000/10000 , N=2 when L=20000 , N=3 when L=30000 |
| Resolution | 10 µm | | | |
| Max. response speed | 300 m/ min | | | |
| Expansion coefficient | (11.1 ± 1) x 10 ⁻⁶ / °C | | (10.4 ± 1) x 10 ⁻⁶ / °C | |
| Operating temperature | -5 °C to 45 °C / 23 °F to 113 °F | | | |
| Storage temperature | -10 °C to 50 °C / 14 °F to 122 °F | | | |
| Compatible read head | PL20B/ 25 | | | |
| Compatible read head and detector | PL81/ 82 Series | | | |

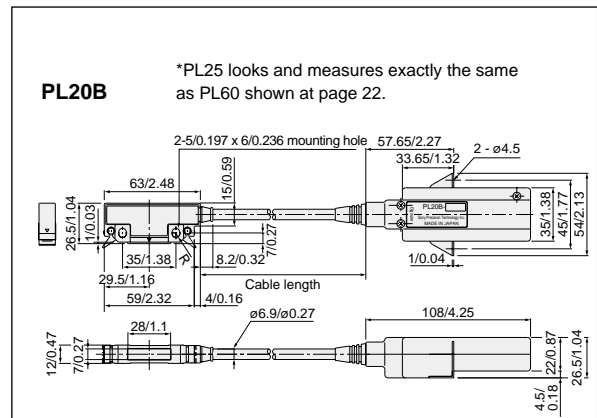
*Accuracy shows the value when used with PL20B/25 read head.

PL20B/25 Specifications

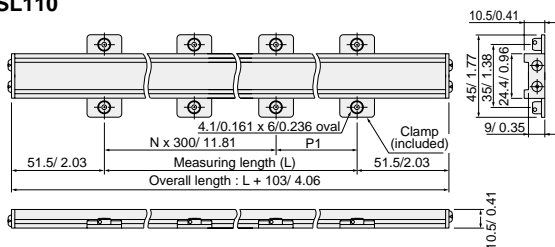
| Model | PL20B | | | | | PL25 | |
|-----------------------------------|-----------------------------------|-----------|------------|------------|------------|--|----------|
| | -3 | -5 | -A | -B | -C | -D | -3 |
| Read head cable length | 3 m/9.8' | 5 m/16.4' | 10 m/32.8' | 15 m/49.2' | 20 m/65.6' | 30 m/98.4' | 3 m/9.8' |
| Scale-Read head clearance | Max. 1.5 mm/ 0.059" (no contact) | | | | | | |
| Protective design grade | Equivalent to IP67 | | | | | Equivalent to IP65 | |
| Operating temperature | -5 °C to 45 °C / 23 °F to 113 °F | | | | | | |
| Storage temperature | -10 °C to 50 °C / 14 °F to 122 °F | | | | | | |
| Compatible scale | SL110 and SL130 | | | | | | |
| Compatible detector | — | | | | | MJ100/110 | |
| Compatible displays | LG, LH and LY | | | | | — | |
| Head mtg. screw tightening torque | 0.7 to 1.1N • m | | | | | | |
| Extension cable (option) | — | | | | | CE08-01...1m, CE08-03...3m, CE08-05...5m, CE08-10...10m, CE08-15...15m | |

*Cable length of more than 15m, Please consult our sales.

Dimensions



SL110



SL130

