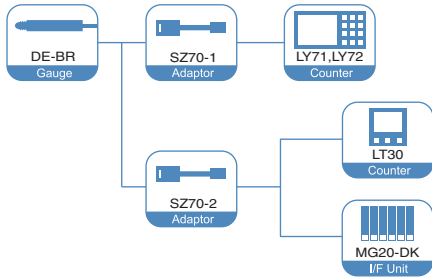


# DE

# DE-BR Series

High precision digital gauge for submicron position detection and measuring

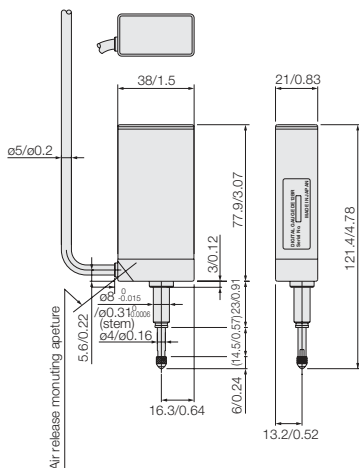
- Magnetic principle
- High accuracy: 1  $\mu\text{m}$
- High resolution: 0.1  $\mu\text{m}$
- Measuring range: 12 mm / 0.47" and 30 mm / 1.18"
- Built-in zero point
- Protective design grade: equivalent to IP64 with optional bellows.



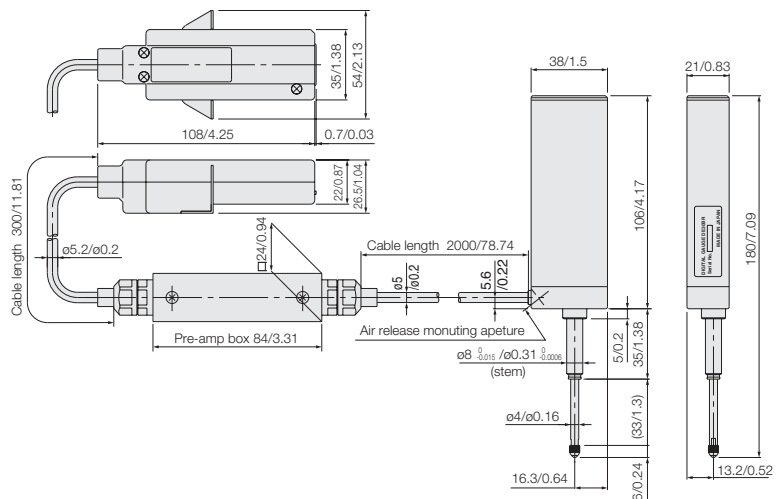
Digital Gauge

## Dimensions

DE12BR



DE30BR



Unit : mm/inch

## Specifications

Model	DE12BR	DE30BR
Measuring range	12 mm / 0.47"	30 mm / 1.18"
Resolution	0.1 $\mu\text{m}$	
Accuracy (at 20 °C / 68 °F)	1 $\mu\text{m}$	
Maximum response speed	20 m/min zero point detection mode : 0.15/min	
Measuring force	Upward	0.35 $\pm$ 0.2 N
	Lateral	0.5 $\pm$ 0.2 N
	Downward	0.7 $\pm$ 0.2 N
Zero point	5 mm/0.2" from feeler end fully retracted	
Protective design grade	Equivalent to IP64 (with optional bellows)	
Mounting stem diameter	$\varnothing 8_{-0.015}^0$ mm / $\varnothing 0.31_{-0.0005}^0$ "	
Operating temperature	0 °C to 50 °C / 32 °F to 122 °F	
Storage temperature	-10 °C to 60 °C / 14 °F to 140 °F	
Power consumption	$\pm 5\text{m}00\text{mA}$	
Cable length	2 m / 6.56'	
Feeler	Feeler tipped with 3 mm dia. carbide ball with M2.5p x 0.45 screw on fitting end (DZ123)	
Mass (excl. cable unit)	Approx.400 g / 14.11 oz	Approx.450 g / 15.87 oz